



Electrical data		
Nominal resistance	kOhm	5 / 10
Resistance tolerance	%	±20
Independent linearity	% of meas. range	±1
Electrical angle	°	280
Max. repeatability	°	0.3
Max. hysteresis	°	0.6
Temperature coefficient of the voltage divider	ppm/°C	5
Max. recommended wiper current	µA	1
Max. wiper current in case of malfunction	mA	10
Max. power rating P (@ 40°C)	W	0.3
Min. life (electrical)	movements	2 Mio.

Mechanical data		
Mechanical range	°	360 (continuous)
Min. life (mechanical)	movements	2 Mio.
Operating temperature	°C	-25 ... +75
Storage temperature	°C	-25 ... +100
Protection class		IP50

Standards		
Insulating resistance (500 VDC, 1bar, 2s)	GOhm	10
Dielectric strength (VAC, 50Hz, 1min, 1bar)	kV	1
Vibration (Amax = 0.75mm, f = 30 ... 2000 Hz)	g	10
Shock (half sine pulse, 7 ms)	g	50

WAL200

Applications

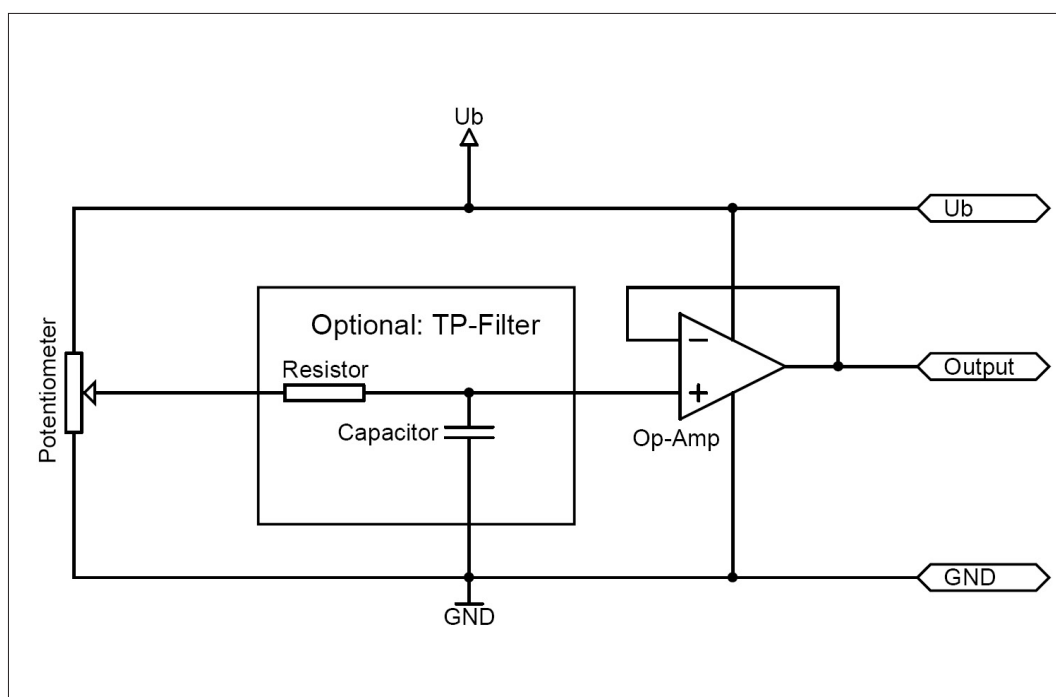
- Volumetric dosing system
- Joysticks

Features

- Hollow shaft
- Cost-effective
- 2 Mio. movements
- Very good resolution better 0,3°

Options

- Other nominal resistance
- Electrical angles between 30° and 340°
- Customer specific wires / connectors



Ideal potentiometer wiring

Our potentiometers should be ideally used as an unloaded voltage divider. If the potentiometer is loaded, nonlinearities arise due to the load resistance and the contact resistance.

Errors and omissions excepted. Subject to change without notice. State: 27.08.14

Contelec AG
 Portstrasse 38
 CH-2503 Biel/Bienne
 Phone +41 (0)32 3665600
 Telefax +41 (0)32 3665604
 sales@contelec.ch

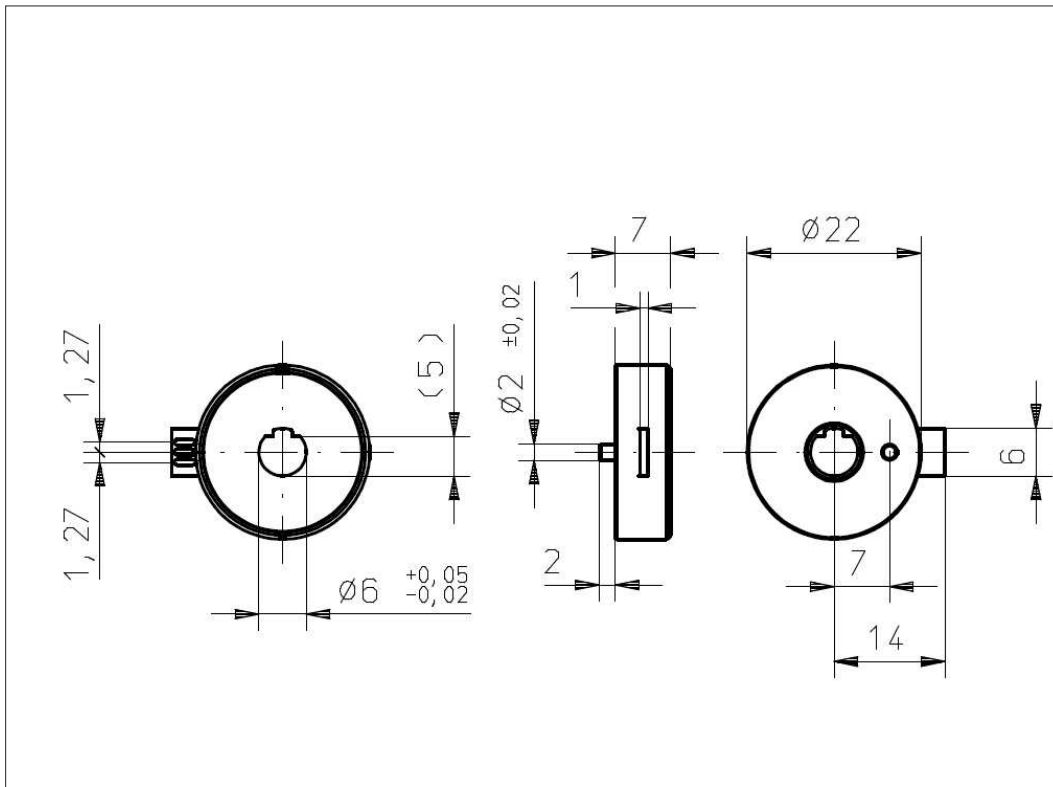
CONTELEC
 A company of the Siedle-Group



WAL200

Accessoires (incl.)

- None



Errors and omissions excepted. Subject to change without notice. State: 27.08.14

Contelec AG
Portstrasse 38
CH-2503 Biel/Bienne
Phone +41 (0)32 3665600
Telefax +41 (0)32 3665604
sales@contelec.ch

CONTELEC
A company of the Siedle-Group